

2M CMOS CoaXPress 239 fps Global Shutter

NEW

STC-MBS212CXP6 【Monochrome】 STC-MCS212CXP6 【Color】

SONY CMOS 2MP CoaXPress
Max 239fps(@ CXP-6, 1lane)
Compact Size & Easy to Attach Design
Long Cable Lengths

CoaXPress



Product Features

- 1632 (H) x 1240 (V)
- 4.5 μm x 4.5 μm
- 239 fps
- 1/1.7"
- Global Shutter
- Lens Mount : C
- Support PoCXP
- 28 x 28 x 40 mm (connector excluded)



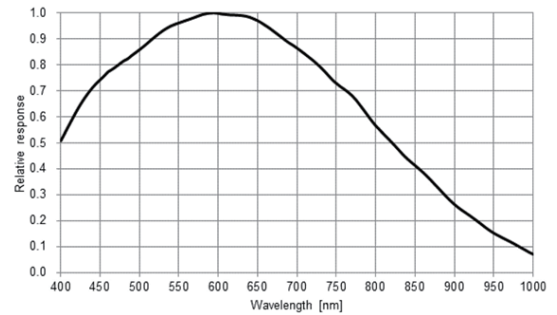
Specifications

| | |
|----------------------------|---|
| Model Numbers | : STC-MBS212CXP6 (Monochrome) STC-MCS212CXP6 (Color) |
| Image Sensor | : 1/1.7" 2M CMOS (SONY : IMX422) |
| Shutter type | : Global |
| Effective Pixels | : 1632 (H) x 1240 (V) |
| Cell Size | : 4.5 (H) x 4.5 (V) μm |
| Scanning method | : Full scanning, ROI |
| Maximum Frame Rate | : 【 CXP-6 】 8bits : 239fps / 10bits : 194fps / 12bits : 165fps 【 CXP-3 】 8bits : 136fps / 10bits : 108fps / 12bits : 90fps |
| ADC bits width | : 12bits |
| Image Format | : Mono8 / Mono10 Packed Msb / Mono12 Packed Msb BayerRG8 / BayerRG10 Packed Msb / BayerRG12 Packed Msb |
| Noise Level | : Less than 4 digits (Gain 0 dB , 8bits) Less than 8 digits (Gain 0 dB , 10bits Packed) Less than 32 digits (Gain 0 dB , 12bits Packed) |
| Sensitivity | : 【 Monochrome 】 110 Lux (8bits) , 440 Lux (10bits Packed , 12bits Packed) 【 Color 】 210 Lux (8bits) , 820 Lux (10bits Packed , 12bits Packed) |
| Exposure time | : 1 μ seconds to 16.777 seconds |
| Analog Gain | : 0 to 18 dB |
| Digital Gain | : x1 to x7 |
| Black Level | : 0 to 31 gidits (8bits) 0 to 127 gidits (10bits Packed) 0 to 511 gidits (12bits Packed) |
| ROI(AOI) | : Horizontal : 256 to 1632 / Vertical : 4 to 1240 Adjustable steps for size : 8 pixels in horizontal direction / 2 lines in vertical direction Adjustable steps for offset : 2 pixels in horizontal direction / 2 lines in vertical direction |
| Multi ROI | : Eight Regions (Horizontal 1 x Vertical 8 regions) |
| Gamma | : N/A |
| Binning | : 2 x 2, Off * Monochrome model only |
| Decimation | : 1/2 x 1/2, Off |
| Image Flip | : Horizontal / Vertical / Horizontal and Vertical / Off |
| Defective Pixel Correction | : Up to 512 points |
| Auto Exposure | : N/A |
| Auto Gain | : N/A |
| Auto White Balance | : Off / Once / Continuous / Disable *Color model only |
| Operational Mode | : Edge preset trigger / Pulse width trigger / CXP trigger packet / Free run |
| Protocol | : CoaXPress Standard Version 1.1.1 and GenICam SFNC 2.4 compliant |
| Input / Out put | : Four GPIO |
| Input Voltage | : PoCXP (+18.5 to +26 Vdc) |
| Consumption | : Maximum: 4.0 W, Typcal: 3.5 W |
| Dimensions | : 28 (W) x 28 (H) x 40 (D) mm (excluding the connectors) |

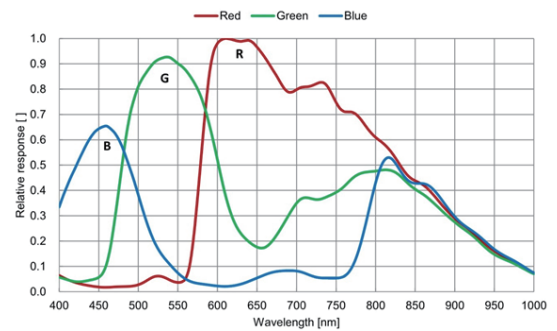
| | |
|----------------------|---|
| Optical Filter | : No Optical Filter |
| Lens Mount | : C Mount |
| Interface Connectors | : CXP Connector : BNC, 75 ohm IO Connector : HR10A-7R-6PB (Hirose) or equivalent |
| Weight | : Approximately 52 g |

Spectral Sensitivity

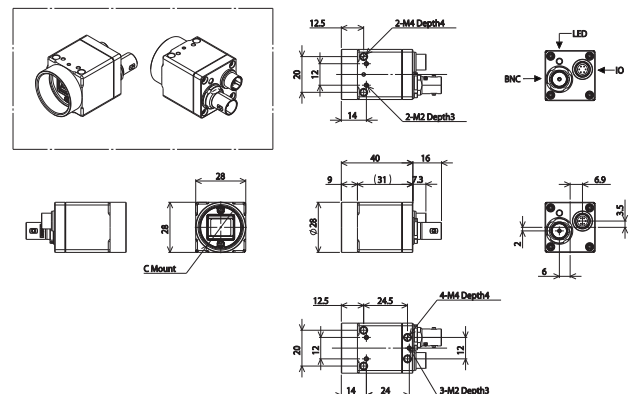
STC-MBS212CXP6



STC-MCS212CXP6



Dimensions



- CoaXPress is trademarks of JIIA (Japan Industrial Imaging).
- Other company names and product names in this website are either registered trademarks or trademarks of their respective owners.

Note: Do not use this document to operate the Unit.

OMRON Corporation Industrial Automation Company
Kyoto, JAPAN

Contact: www.ia.omron.com

Regional Headquarters
OMRON EUROPE B.V.
Wegalaan 67-69, 2132 JD Hoofddorp
The Netherlands
Tel: (31)2356-81-300/Fax: (31)2356-81-388

OMRON ELECTRONICS LLC
2895 Greenspoint Parkway, Suite 200
Hoffman Estates, IL 60169 U.S.A.
Tel: (1) 847-843-7900/Fax: (1) 847-843-7787

OMRON ASIA PACIFIC PTE. LTD.
No. 438A Alexandra Road # 05-05/08 (Lobby 2),
Alexandra Technopark,
Singapore 119967
Tel: (65) 6835-3011/Fax: (65) 6835-2711

OMRON (CHINA) CO., LTD.
Room 2211, Bank of China Tower,
200 Yin Cheng Zhong Road,
PuDong New Area, Shanghai, 200120, China
Tel: (86) 21-5037-2222/Fax: (86) 21-5037-2200

Authorized Distributor:

© OMRON Corporation 2021 All Rights Reserved.
In the interest of product improvement,
specifications are subject to change without notice.

Cat. No. Q338-E1-01

0321 (0321)